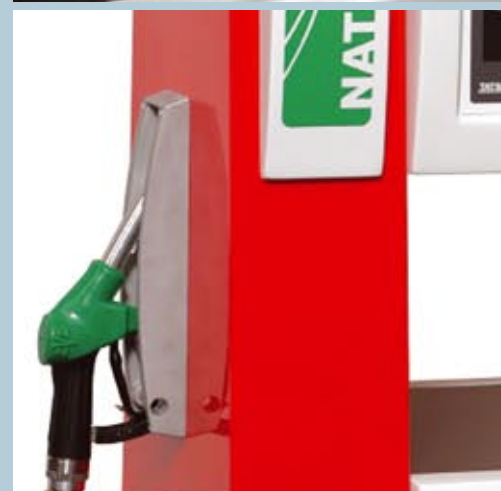




BMP 2000 SHARK SMALL

ONE PRODUCT FUEL DISPENSERS



BMP 2000 SHARK SMALL | BASIC SPECIFICATION

The fuel dispensers TATSUNO-BENC of series SHARK BMP 2000.SS - SMALL serve for dispensing of liquid oil products into road vehicles on retail and commercial outlets. We are speaking about progressive one- or double-sided one product fuel dispensers with one or two dispensing hoses. The fuel dispensers are equipped by the high-quality Japan hydraulic system TATSUNO and by the reliable electronic calculator PDE. All fuel dispensers of the type series BMP 2000.SS are operated both in the manual mode (i.e. off-line), and in the automatic mode, where the fuel dispenser is linked with the kiosk control system and the data concerning volume, sum and price are transmitted to POS. TATSUNO BENC BG-16 console can be used for fuel dispenser controlling or the fuel dispensers can be connected directly to the filling station control system.



NEW SOPHISTICATED DESIGN



FIBREGLASS COVERS



HYDRAULIC SYSTEM TATSUNO (JAPAN)



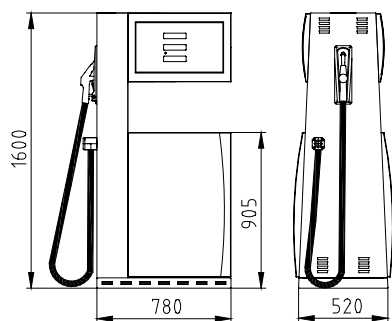
HIGH FLOW PERFORMANCE



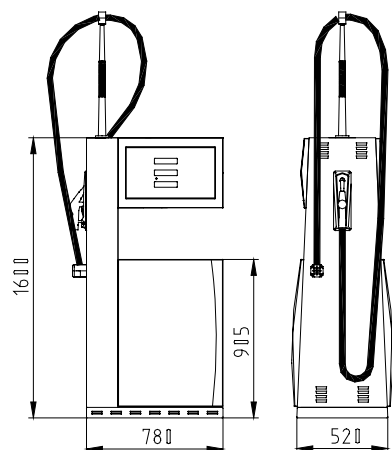
PETROL VAPOUR RECOVERY

ONE PRODUCT FUEL DISPENSERS SERIES BMP 2000 SHARK SMALL

BMP 2011.SSD-ZV1

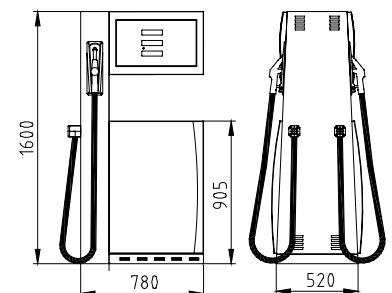


with hose spring



BMP 2011.SSD-ZV1-HS

BMP 2012.SSD-ZV2



| ONE-SIDED DISPENSERS BMP 2000 SHARK SMALL | | |
|--|----------|-------|
| type | products | hoses |
| BMP 2011.SSL-ZV1 | 1 | 1 |
| BMP 2011.SSL-ZV1-HS | 1 | 1 |
| BMP 2011.SSL-ZV1 | 1 | 2 |

| TWO-SIDED DISPENSERS BMP 2000 SHARK SMALL | | |
|--|----------|-------|
| type | products | hoses |
| BMP 2011.SSD-ZV1 | 1 | 1 |
| BMP 2011.SSD-ZV1-HS | 1 | 1 |
| BMP 2012.SSD-ZV2 | 1 | 2 |

MODEL SPECIFICATION

- ▶ Hydraulics TATSUNO (Japan)
- ▶ Reliable electronic counter
- ▶ Proportional graphic or standard LCD display (6-6-6)
- ▶ Electronically controlled LED backlight of LCD displays
- ▶ Modern compact design with fibreglass covers
- ▶ Plastic accessories on request (flipper)
- ▶ Two-channels pulse generators TATSUNO (Japan)
- ▶ Electronic registers for every dispensing nozzle
- ▶ Non resettable electromechanical register for every nozzle
- ▶ Infra-red remote controller for dispenser setting
- ▶ Vapour recovery system with electronic signalling
- ▶ Dispensing hoses and nozzles ZVA-ELAFLEX (Germany)
- ▶ Sight glasses for fuel flow check
- ▶ Valves for dispensing of preselected amount/volume
- ▶ Four buttons keypad for amount/volume preselection
- ▶ IFSF-LON or IFSF-TCP/IP data communication
- ▶ Various colour performance - on customers request
- ▶ Possibility to install multimedia module

TECHNICAL SPECIFICATION

| | |
|-----------------------------|--|
| pumping output | <ul style="list-style-type: none"> • standard 30 ÷ 50 dm³.min⁻¹ • high performance 70 ÷ 80 dm³.min⁻¹ • ultra-high performance 120 ÷ 130 dm³.min⁻¹ |
| accuracy of pumping | • ± 0.5 % with minimum dispensed volume 2, 5, 10 dm ³ |
| minimum operating pressure | <ul style="list-style-type: none"> • gasoline 0.16 MPa (1.6 bar) • diesel 0.20 MPa (2.0 bar) |
| maximum operating pressure | • 0.4 MPa (4.0 bar) |
| electric motors | • three-phase, 3 x 400 V / 50 Hz, 0.75 kW, 1 395 rpm |
| counter power supply | • 230 V, + 10 % - 15 %, max. 85 VA, 50 Hz |
| operating temperature range | • -25 °C ÷ 55 °C (with heating kit -50 °C) |